



Marine Cone Fender

 **ZHIYOU MARINE**
Marine & Offshore Equipment Supplier

Shanghai Zhiyou Marine & Offshore Equipment Co., Ltd

Web: www.marineoutfittings.com

Email: info@marineoutfittings.com

Tel: +86 21 5645 2367

Brief

Marine cone fender has the highest energy absorption and lowest reaction force of any fender types. The high efficiency makes it has excellent performance and less costs. All marine cone fenders are single piece moldings so they are robust, long life span and easy install. In most projects, the frontal frame is generally used in conjunction with cone type fender system. Generally the frontal frame is including steel panel and UHMW-PE face pad.

Some of the most prevalent application for cone type fenders are at off-shore open berths, container terminals, oil wharf and other large docks as it resist high shear forces and can handle large panel weights and have the highest energy to reaction ratios.

Specification

Height range is 500-1800mm.

Marine cone fenders with marine panels design.

Material of accessories with hot galvanizing or stainless steel.

Other requirements.

Features

Very high energy absorption per fender weight.

Excellent under large berthing angles and shear.

Choice of standard & intermediate compounds.

Stable geometry maintains performance under all loading combinations.

Dimensions

H	Φd1	Φd2	ΦD1	ΦD2	h	n-Md	n-ΦD3
500	325	425	675	750	25	4-M24	4-Φ30
800	520	680	1080	1200	36	6-M36	6-Φ44
1000	650	850	1350	1500	45	6-M42	6-Φ50
1400	930	1190	1890	2100	66	8-M48	8-Φ60
1800	1190	1530	2430	2700	78	10-M56	10-Φ76

More dimensions please see the drawing enclosed. Customized solution or any other requirements please [contact us](#).



Shanghai Zhiyou Marine & Offshore Equipment Co., Ltd

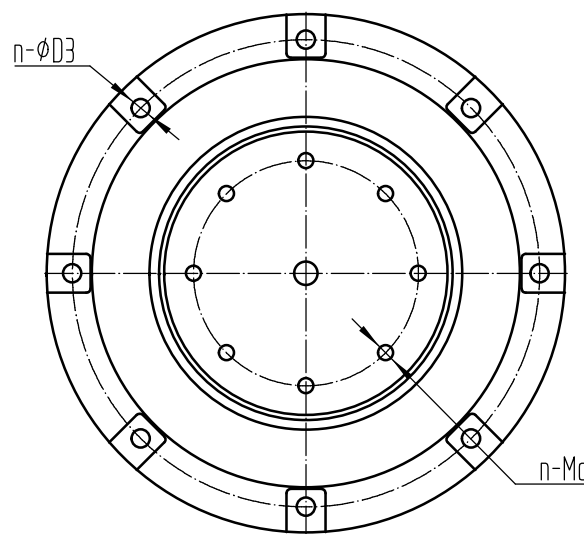
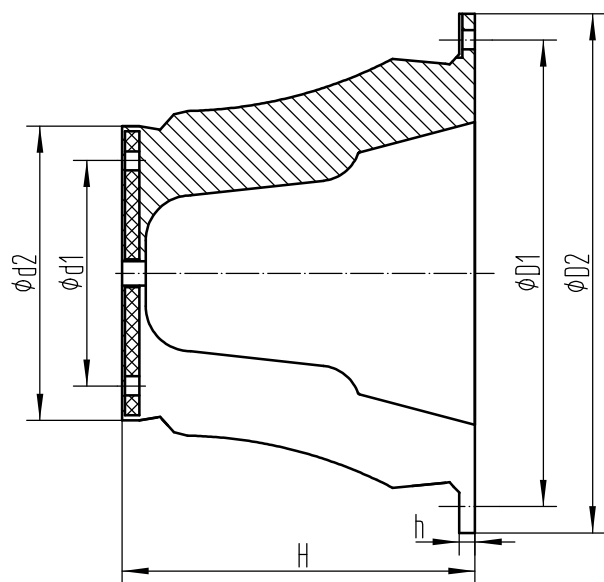
Web: www.marineoutfittings.com

Email: info@marineoutfittings.com

Tel: +86 21 5645 2367

The drawings are for reference only, not used as production drawings. 此圖紙僅供參考，不作為生產圖紙。

NO.	H	$\phi d1$	$\phi d2$	$\phi D1$	$\phi D2$	h	n-Md	n- $\phi D3$
1	500	325	425	675	750	25	4-M24	4- $\phi 30$
2	600	390	510	810	900	27	6-M24	6- $\phi 30$
3	700	455	595	945	1050	32	6-M30	6- $\phi 38$
4	800	520	680	1080	1200	36	6-M36	6- $\phi 44$
5	900	585	765	1215	1350	41	6-M36	6- $\phi 44$
6	1000	650	850	1350	1500	45	6-M42	6- $\phi 50$
7	1100	715	935	1485	1650	50	6-M42	6- $\phi 50$
8	1150	750	998	1550	1725	52	6-M42	6- $\phi 56$
9	1200	780	1020	1620	1800	54	8-M42	8- $\phi 56$
10	1300	845	1105	1755	1950	59	8-M48	8- $\phi 60$
11	1400	930	1190	1890	2100	66	8-M48	8- $\phi 60$
12	1600	1060	1360	2160	2400	72	8-M48	8- $\phi 70$
13	1800	1190	1530	2430	2700	78	10-M56	10- $\phi 76$



Shanghai Zhiyou Marine & Offshore Equipment Co., Ltd
Room 405, Fudan Software Park, 188 Changyi Road, Shanghai China.
Tel: +86-21-5645-2367
Email: sales@zhiyoumarine.com info@marineoutfittings.com
Web: www.zhiyoumarine.com www.marineoutfittings.com

ZHIYOU MARINE

Dwg Name	Marine Cone Rubber Fender		
1		Scale	1:10 @A3
Rev	Description	Date	Sheet
Note	All dimensions are in millimeters unless otherwise specified. The drawings are for reference only, not used as production drawings. 此圖紙僅供參考，不作為生產圖紙。		

1		Scale	1:10 @A3	Dwg No.	ZY-MRF-Co
Rev	Description	Date	Sheet	-	
Note	All dimensions are in millimeters unless otherwise specified. The drawings are for reference only, not used as production drawings. 此圖紙僅供參考，不作為生產圖紙。				